

Programmes After Market Services NHM-3 Series Transceivers

Service Software Instructions

Table of Contents

	Page No
Service Software Instructions	1
Service Software	3
General	3
Software Environment of the Support Modules.....	3
Required Servicing Equipment	3
Installation.....	4
Equipment Setup for Tuning a Phone without Removing Covers	6
Flash Concept for NHM-3 (covers on)	7
Power distribution with one ACL-3 and one ACH-6 charger:	8
Power distribution with two AXD-1 cables and two ACH-6 chargers:	8
Tuning With Covers Off	9
NHM-3 Software Features	11

Service Software

General

To run the After Sales SW, a parallel port software protection device (PKD-1) has to be connected. TDF-4 box must be connected to PC for flashing purposes. The user can use WinTesla functions in modules for testing NSE-1/3/6, NSM-1 and NHM-3 mobile stations (MS). The test functions send test messages from PC to MS and receive results and show them in the PC display. The messages can be sent via M2BUS or FBUS.

Note: if this software is to be run on laptops, the power saving feature MUST be switched off.

Hardware requirements for Windows 3.1x

The recommended minimum hardware standard to run Service Software is any computer which is 386 33 MHz or greater with at least 4 MB of memory and VGA type display (640 x 480). This assumes that only the WinTesla with After Sales Support Modules is active, i.e. other Windows packages are not running in the background.

Hardware requirements for Windows 95

The recommended minimum hardware standard to run Service Software is any computer which has Pentium processor, memory 8 MB and meets HW requirements recommended by Microsoft.

Software Environment of the Support Modules

The Service Software user interface is intended for the following environments: Microsoft Windows 3.1x (enhanced mode) and Windows 95 environment running in enhanced mode. Support for Microsoft NT may be added, if required. Detailed information about Windows and application usage can be found from the Microsoft Windows Version 3.1 Users Guide chapter one (Windows Basics) and chapter two (Application Basics).

As an ordinary Windows application, the main idea in the user interface is that selections are made with menus, push buttons and shortcut keys. Selections can be done by using keyboard and/or mouse. There is always a status bar displayed at the bottom of the main window which contains information about current actions.

Required Servicing Equipment

- Computer: At least IBM 80386 or compatible with one unused serial port (COM1 or COM2^{*)}, one parallel port (LPT1), hard disk recommended
- Operating System: DOS Version 3.2 or later
- If PCLStart in use: DOS 6.22 and IBM 80486 or compatible
- Display: Any 80-character text display
- Service software for NPE-3 3.5" disk (product code: 0774248)

- General Service SW PC application version 3.5" (product code 0774046).
- Software protection key PKD-1 (product code: 0750018)
- Service MBUS Cable DAU-9P (product code: 0730109)
- Audio cable ADS-1 (product code: 0730011)
- Modular T-adapter (product code: 4626134)
- Service Battery BBD-2 (0775222)
- Test Cable XRC-3 (0730186)

*)Note: A number of PC's of an older generation use the Intel, National Semiconductor, or United Micro-electronics IC 8250 as the serial port UART. This is a comparatively inefficient circuit for current purposes and does not necessarily support the M2BUS adapter at 9600 baud. The newer UART's NS16450 and NS16550AF of National Semiconductor offer solutions for these problems.

Installation

Mechanical Connections

Caution:Make sure that you have switched off the PC and the printer before making connections.

Caution:Do not connect the PKD-1 key to the serial port. You may damage your PKD-1 !

The software controls the phone via a separate adapter connected to the serial port of the PC, and to the telephone's M2BUS (DAU-9P).

Attach the dongle PKD-1 to the parallel port 1 (25-pin female D-connector) of the PC. When connecting PKD-1 to the parallel port, be sure that you insert the computer side of the PKD-1 to the PC (male side). If you use a printer on parallel port 1, install the PKD-1 between the PC and your printer cable.

The PKD-1 should not affect devices working with it. If some errors occur (errors in printing are possible) please try printing without the PKD-1. If printing is OK without the PKD-1 please contact your dealer. We will offer you a new PKD-1 in exchange for your old one.

Installing the Software on PC Hard Disk

The program is delivered on a diskette and is copy protected with a dongle PKD-1. It must be present in parallel port when using Service software.

The program can also be installed on the hard disk, which is recommendable to obtain a maximum data access rate.

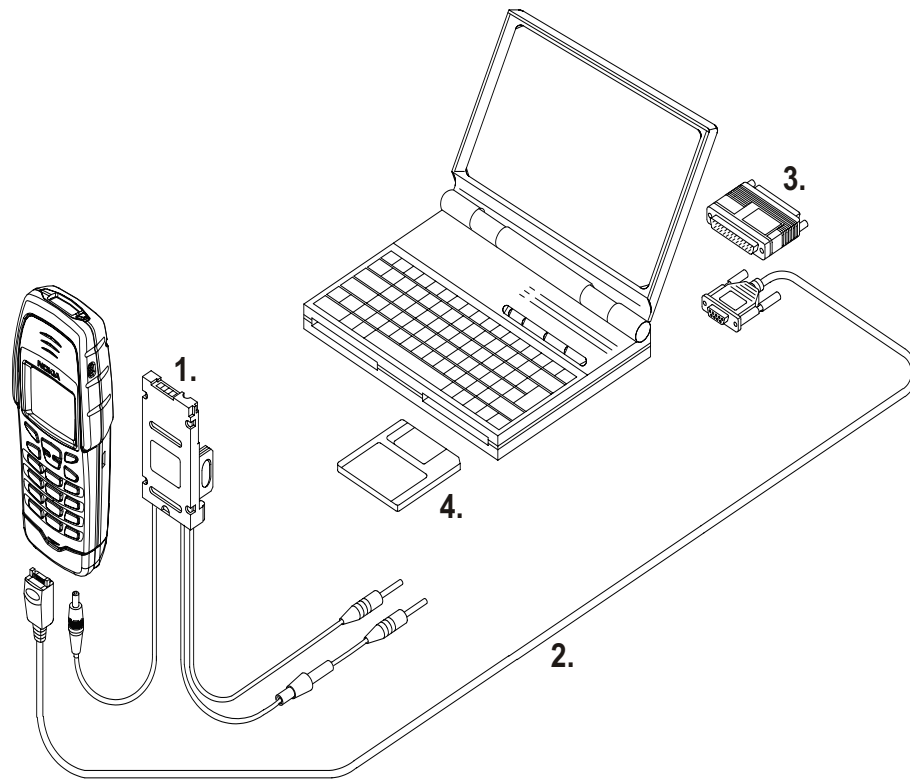
Keep the original diskette safe to enable upgrading of the program !

If you plan to use PCL Start service software, you must install it before installing Service software, see PCL Start installation instructions.

To install the new Service software program, follow the steps below:

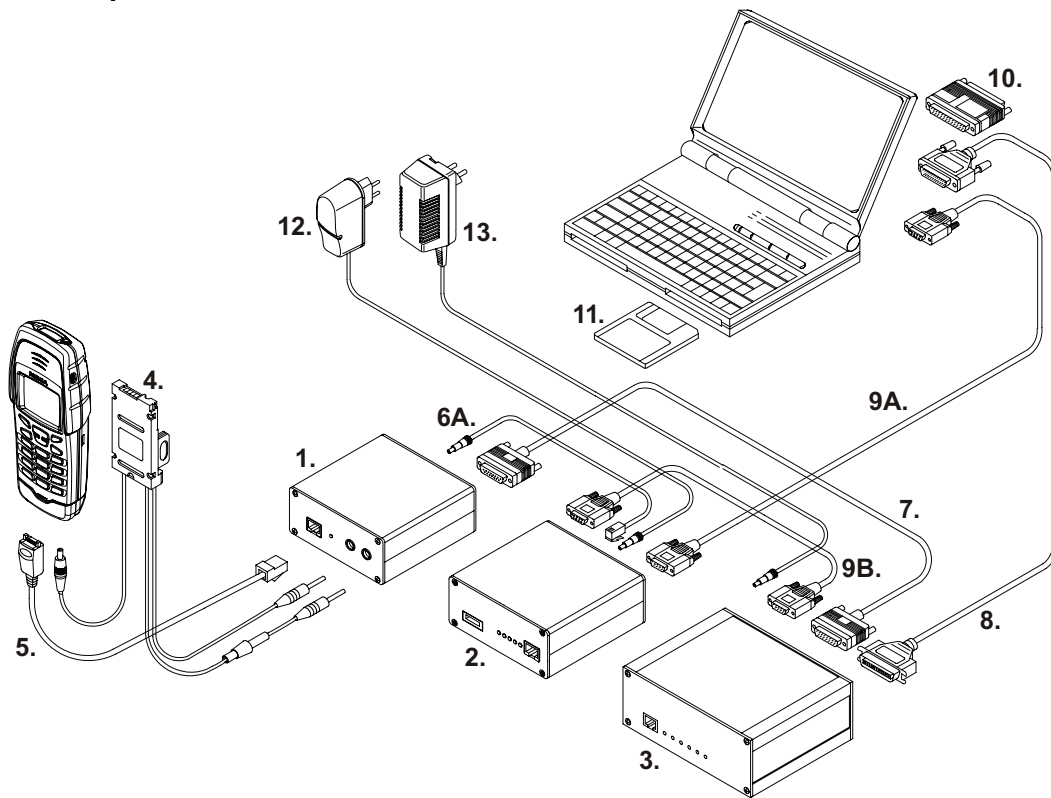
1. Insert the new Service software diskette into drive A: of your computer
2. Start Windows, and open File Manager log into drive a: *type A: and press <Enter>*
3. Start INSTALL.EXE and *type C: and press <Enter>* install Service software to drive C:

Equipment Setup for Tuning a Phone without Removing Covers



Item:	Service accessory:	Product code:
1	Service Battery BBD-2	0775222
2	Service MBUS Cable DAU-9P	0730109
3	Software Protection Key PKD-1	0750018
3	Service SW Disk 3.5"	0774248

Flash Concept for NHM-3 (covers on)



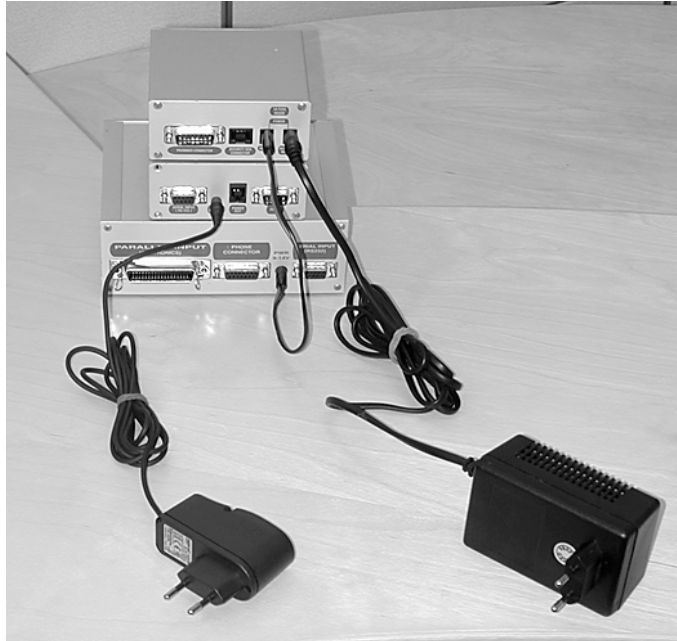
Item:	Service accessory:	Product code:
1	Flash Loading Adapter FLA-7	0080326
2	Flash Security Box TDF-4	0770106
3	Prommer FPS-4S	0085095
4	Service Battery BBD-2	0775222
5	Service Cable SCH-5A	0730166
6a	DC Cable PCC-1B with FLA-5	0730053
6b	DC Cable AXD-1 with FLA-7 (included in FLA-7 Sales Pack)	0730144
7	D15 - D15 Cable AXS-5 (Included in FLA-7 sales pack)	0730091
8	Printer Cable (Included in FPS-4 sales pack)	0730029
9A	D9 - D9 Cable AXS-4 (Included in FPS-4 sales pack)	0730090
9B	D9 - D9 Cable AXS-4	0730090
10	Software protection key PKD-1	0750018
11	Service SW diskette 3.5"	0774248
12	Travel Charger ACH-6E (Euro)	0270381
	Travel Charger ACH-6U (USA/Japan)	0270382
	Travel Charger ACH-6X (UK)	0270380
13	AC Charger ACL-3E (part of FPS-4 kit)	0680015

Power distribution with one ACL-3 and one ACH-6 charger:

FLA-7 powered by ACL-3 charger

TDF-4 powered by ACH-6 Charger

FPS-4 powered by SCF-7 cable from FLA-7 "Out FPS-4" connector



Use this power distribution setup if you have FPS-4 sales pack with ACL-3 charger.

NOTE: If you don't have ACL-3, please use power distribution setup with AXD-1 and ACH-6 described below.

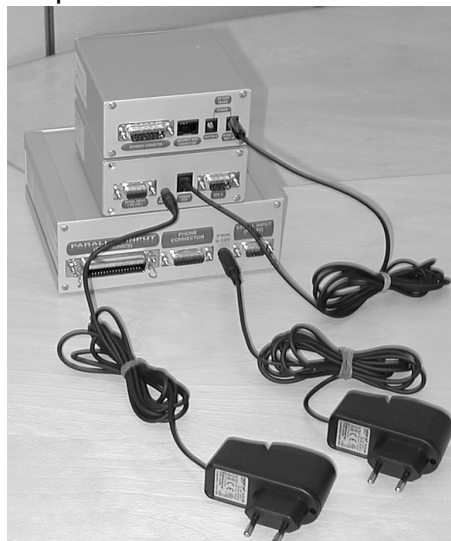
Power distribution with two AXD-1 cables and two ACH-6 chargers:

FLA-7 powered by AXD-1 cable from TDF-4 "Power Out" connector (It is also possible to power FLA-7 with AXD-1 and separate ACH-6).

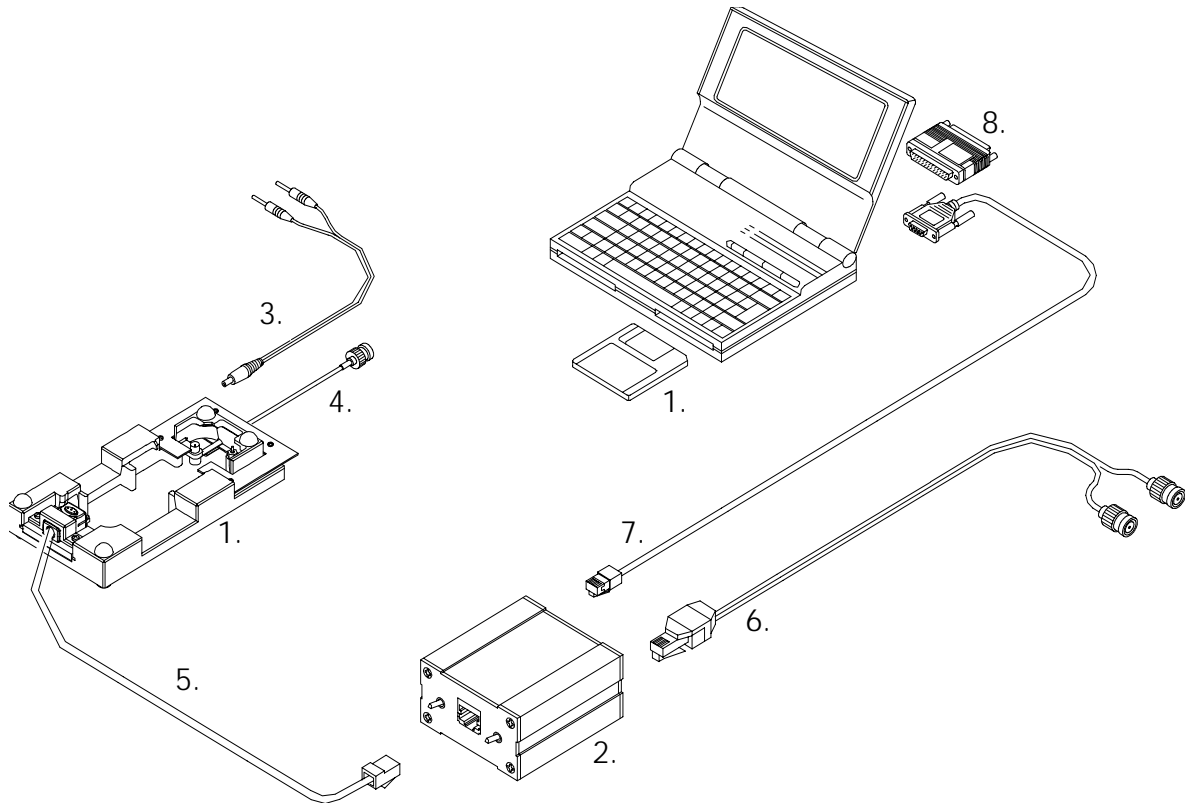
TDF-4 powered by ACH-6 Charger.

FPS-4 powered by AXD-1 DC cable and ACH-6 Charger

NOTE: Do not use SCF-7 cable to power FLA-7 and FPS-4 from one ACH-6 charger like it was done with ACL-3 !



Tuning With Covers Off



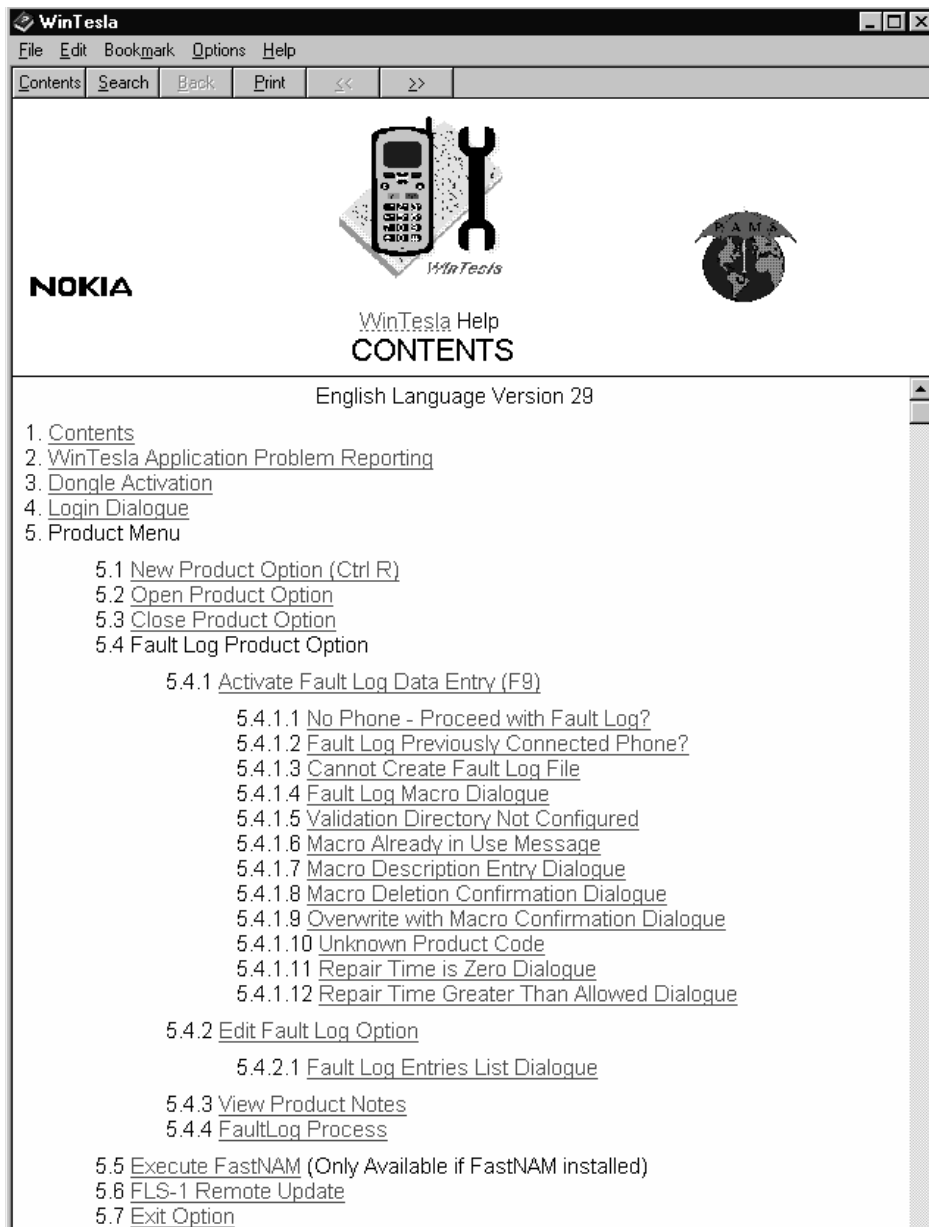
Item:	Service accessory:	Product code:
1	Module Service Jig MJS-23	0770241
2	Service Audio Box JBA-4**	0770094
3	DC Cable PCS-1	0730012
4	Test Cable XRC-3	0730186
5	Service Cable SCH-5A**	0730166
6	Audio Cable ADS-1	0730011
7	Service MBUS Cable DAU-9S**	0730108
8	Software Protection Key PKD-1	0750018
9	Service SW diskette 3.5	0774248

*) The nominal operating voltage for MJS-23 is 3.6V
The supply voltage for MJS-23 must never exceed 5.0V.

***) SCH-5A, JBA-4 and DAU-9S can be replaced with DAU-9P.

Common User Interface

All WinTesla files share a common interface which are detailed in the WinTesla help files once the software is installed. A typical example is shown in the figure below.



NHM-3 Software Features

For further information regarding each specific feature please refer to the online help included with the support module installation package. The dialogues have buttons marked Help for direct access to the specific area in the online help in which the feature is explained.

